









TM-279836C

2018-08

**Processes**

-  MIG (GMAW) Welding
-  Flux Cored (FCAW)
-  Stick (SMAW) Welding
-  TIG (GTAW) Welding
-  Air Plasma Cutting and Gouging with Spectrum<sup>®</sup> Unit
-  Air Carbon Arc (CAC-A) Cutting and Gouging

**Description**

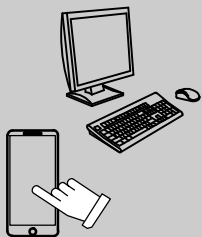
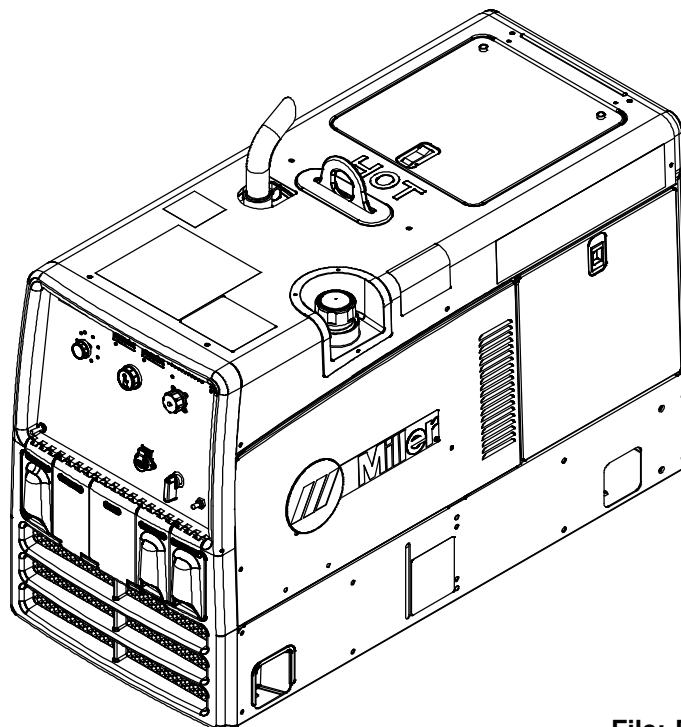


Engine Driven Welder/Generator

# Trailblazer<sup>®</sup> 325 Diesel

## PARTS LIST

Eff w/Serial No. MH350899R And Following



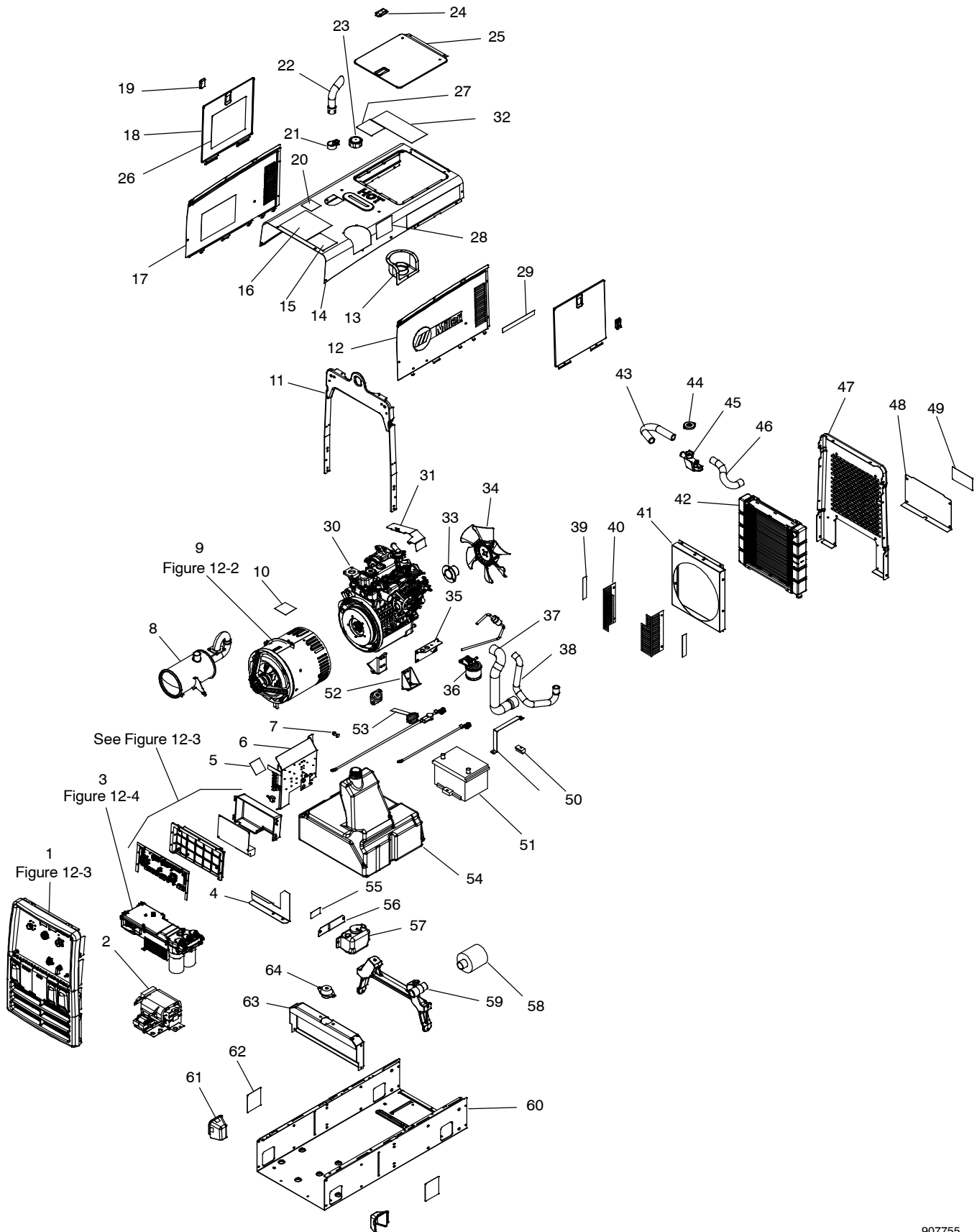
For product information,  
Owner's Manual translations,  
and more, visit

[www.MillerWelds.com](http://www.MillerWelds.com)

File: Engine Drive



# SECTION 13 – PARTS LIST



907755

Figure 12-1. Main Assembly

# Eff w/Serial No. MH350899R And Following

| Item No.                          | Dia. Mkgs. | Part No.    | Description   | Quantity |
|-----------------------------------|------------|-------------|---|----------|
| <b>Figure 12-1. Main Assembly</b> |            |             |   |          |
| 1                                 |            | Figure 12-3 | Front Panel Assembly  | 1        |
| 2                                 | DC-Z       | 258871      | Stabilizer Assy (Standard Models)   | 1        |
| 2                                 | DC-Z       | ♦259176     | Stabilizer Assy (Models W/Excel Synth Aux)  | 1        |
|                                   |            | 257112      | Washer, Dragon Tooth .270idx.680odx.031t Cop Pld  | 1        |
| 3                                 |            | 277325      | Assy, IGBT/Capacitor (TB325 Diesel) (Figure 12-4)   | 1        |
| 3                                 |            | ♦277632     | Assy, IGBT/Capacitor Excel Power (TB325 Diesel) (Figure 12-4)   | 1        |
| 4                                 |            | 258564      | Baffle, Heat Sink   | 1        |
| 5                                 |            | 227732      | Label, Warning Electric Shock Hazard (Bilingual)  | 1        |
| 6                                 |            | 277288      | Bracket, W/Components/Harness   | 1        |
|                                   |            | 258318      | Bracket, Mtg Components   | 1        |
|                                   | 1T         | 172661      | Block, Stud Connection 6 Position   | 1        |
|                                   | C1         | 218680      | Capacitor, Elctlt 2000 uF 200 VDC Can 1.42 Dia  | 1        |
|                                   |            | 177136      | Clamp, Capacitor 1.375 Dia  | 1        |
|                                   |            | 172731      | Holder, Fuse Mintr .250 X 1.250 Clip Anti-Pivot   | 1        |
|                                   | F5         | *012655     | Fuse, Mintr Cer 10. Amp 250 Volt  | 1        |
|                                   | SR1        | 035704      | Rectifier, Integ Bridge 40. Amp 800V  | 1        |
|                                   | CR1        | 197325      | Relay, Encl 12VDC Spst 70A 4pin Flange Mtg  | 1        |
|                                   | CB7        | 190374      | Circuit Breaker, Auto Reset 12VDC 40 Amp  | 1        |
|                                   | CB8        | 231436      | Circuit Breaker, Auto Reset 12VDC 15 Amp  | 1        |
|                                   | CB4        | 083432      | Supplementary Pro, Man Reset 1p 10A 250VAC Frict  | 1        |
|                                   |            | 255301      | Bracket, Mtg Circuit Breaker (Excel Power Only)   | 1        |
|                                   | CB5        | 233040      | Supplementary Protector, Man Reset 3p 15A 277VAC (Excel Power Only)                                       | 1        |
| 7                                 |            | 173734      | Link, Jumper  | 1        |
| 8                                 |            | 257881      | Muffler, Exhaust Engine (Kubota D902)   | 1        |
| 9                                 |            | Figure 12-2 | Generator Assembly  | 1        |
| 10                                |            | 227724      | Label, Warning Moving Parts Can Cause Serious Etc   | 1        |
| 11                                |            | 249241      | Upright, Base   | 1        |
| 12                                |            | 234935      | Panel, Side Rh  | 1        |
| 13                                |            | 211398      | Grommet, Plastic Neck Filler Fuel   | 1        |
|                                   |            | †259954     | Cover, Top Service Assy Trailblazer 325 Diesel (Includes Engine Access Door, Labels, Fuel Filler Grommet) | 1        |
| 14                                |            | +258343     | Cover, Top (Diesel)   | 1        |
| 15                                |            | 233088      | Label, Danger Using A Generator Indoors Can Kill  | 1        |
| 16                                |            | 233639      | Label, Warning General Precautionary Csa (Bilingual)  | 1        |
| 17                                |            | 234934      | Panel, Side Lh  | 1        |
|                                   |            | †267624     | Door, Engine Side W/Latch/Seal/Label RH (Service)   | 1        |
|                                   |            | †267623     | Door, Engine Side W/Latch/Seal/Label LH (Service)   | 1        |
| 18                                |            | +237305     | Door, Access Engine Side  | 2        |
| 19                                |            | 151187      | Latch, Slide  | 2        |
|                                   |            | 220371      | Seal, Rubber W/Adhesive .370 X .750 X 14.500  | 2        |
| 20                                |            | 227729      | Label, Caution Exhaust Direction (Bilingual)  | 1        |
| 21                                |            | 262681      | Clamp, Band (Muffler)   | 1        |
| 22                                |            | 262680      | Pipe, Exhaust Elbow   | 1        |
| 23                                |            | 220711      | Cap, Tank Screw-On W/Vent   | 1        |
| 24                                |            | 211370      | Latch, Door   | 1        |
| 25                                |            | +211369     | Door Assy, Access Engine Top  | 1        |
|                                   |            | 220371      | Seal, Rubber W/Adhesive .370 X .750 X 14.500  | 2        |
|                                   |            | 217395      | Bumper, Door .500 Od X .250 High Nprn 70 Duro   | 10       |
| 26                                |            | 258899      | Label, Engine Maint. Kubota D902 Tblazer (Bilingual) (Prior to MJ070758R)                                 | 1        |
| 26                                |            | 281803      | Label, Engine Maint Kubota D902 Tblazer (Bilingual) (Eff w/MJ070758R)                                     | 1        |
| 27                                |            | 262434      | Label, Warning Steam And Hot Coolant Can Burn   | 1        |
| 28                                |            | 227728      | Label, Warning Use Diesel Fuel Only (Bilingual)   | 1        |
| 29                                |            | 227731      | Label, Caution Do Not Use Ether (Bilingual)   | 1        |
| 30                                |            | 258074      | Engine, Kubota Dsl Elec D902 W/Components   | 1        |
|                                   |            | 258490      | Hose Assy, Oil Drain  | 1        |
|                                   |            | 258416      | Assy, Fuel Line W/Clamps And In-Line Filter   | 1        |
|                                   |            | *213858     | Filter, Fuel In-line 5/16x5/16 Mic 125 -175   | 1        |
|                                   |            | *187443     | Filter, Oil Kubota  | 1        |

# Eff w/Serial No. MH350899R And Following

| Item No.                                      | Dia. Mkgs. | Part No. | Description  | Quantity |
|---|------------|----------|--|----------|
| <b>Figure 12-1. Main Assembly (Continued)</b> |            |          |  |          |
|   |            | *259949  | Belt, Fan  | 1        |
| 31  |            | +225248  | Guard, Belt Fan  | 1        |
| 32  |            | 261782   | Label, User Guide (Prior to MH411574R)                         | 1        |
| 32  |            | 280799   | Label, User Guide (Eff w/MH411574R)                            | 1        |
| 33  |            | 258335   | Spacer, Fan (Kubota D902)                                      | 1        |
| 34  |            | 239897   | Fan, Engine Cooling 13.000 6 Blade Pusher                      | 1        |
| 35  |            | 258415   | Assy, Bkt, Mtg Fuel Filter                                     | 1        |
| 36  |            | *259934  | Filter, Fuel (Kubota)  | 1        |
| 37  |            | 258000   | Hose, Intake   | 1        |
|   |            | 010861   | Clamp, Hose 1.312 – 2.250 Clp Dia                              | 3        |
| 38  |            | 258001   | Hose, Radiator Lower   | 1        |
| 39  |            | 229079   | Label, Warning Pinch Points And Moving Parts (Bilingual)       | 2        |
| 40  |            | +258356  | Guard, Fan   | 2        |
| 41  |            | 258355   | Shroud, Radiator   | 1        |
| 42  |            | 268713   | Radiator, Single Row   | 1        |
| 43  |            | 257998   | Hose, Engine Upper   | 1        |
| 44  |            | 259299   | Cap, Radiator  | 1        |
| 45  |            | 268714   | Filler Neck, Radiator Fill Tee                                 | 1        |
| 46  |            | 257999   | Hose, Radiator Upper   | 1        |
| 47  |            | 258352   | Panel, Rear  | 1        |
| 48  |            | +258362  | Cover, Battery   | 1        |
| 49  |            | 227913   | Label, Warning Battery Explosion Can Blind                     | 1        |
| 50  |            | 182935   | Holddown, Battery  | 2        |
|   |            | 263208   | Bracket, Battery Hold Down                                     | 1        |
| 51  |            | 255574   | Battery, Stor 12V Gp 58 Maint Free No Handle                   | 1        |
|   |            | 246260   | Cable, Battery Positive 32in 4 Awg .312 Ring                   | 1        |
|   |            | 246259   | Cable, Battery Negative 20" 4 Awg .375 Ring                    | 1        |
|   |            | 114923   | Boot, Insulator Term Post Red 1/0 Cable .875odx1.00            | 1        |
| 52  |            | 258342   | Bracket, Mtg Engine  | 2        |
| 53  |            | 187550   | Mount, Engine 60 Duro Flange Mtg (Prior to MJ280348R)          | 2        |
| 53  |            | 282766   | Mount, Engine 50 Duro Flange Mtg (White Dot) (Eff w/MJ280348R) | 2        |
| 54  |            | 279025   | Tank, Fuel 12.0 Gal W/Sender (Diesel)                          | 1        |
|   |            | 238061   | Sender, Fuel Gauge   | 1        |
| 55  |            | 259133   | Label, Notice Coolant Level (Bilingual)                        | 1        |
| 56  |            | +258430  | Bracket, Mtg Coolant Bottle                                    | 1        |
| 57  |            | 258360   | Bottle, Coolant Overflow                                       | 1        |
| 58  |            | *258349  | Air Cleaner, Intake Dry Straight Outlet                        | 1        |
| 59  |            | 258061   | Bracket, Mtg Base Engine                                       | 1        |
| 60  |            | +258250  | Pan, Base (Diesel)   | 1        |
| 61  |            | 211355   | Cover, Base  | 2        |
| 62  |            | 227912   | Label, Warning Do Not Weld On Base/Fuel Level                  | 2        |
| 63  |            | 258341   | Bracket, Mtg Generator   | 1        |
| 64  |            | 187551   | Mount, Generator 70 Duro Flange Mtg                            | 1        |
|   |            | †280095  | Kit, Service Speed Sensor (Kubota)                             | 1        |
|   |            | 282178   | Label, Warning Breathing Diesel Engine Exhaust                 | 1        |

+ When ordering a component originally displaying a precautionary label, the label should also be ordered.

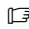
\* Recommended Spare Parts.

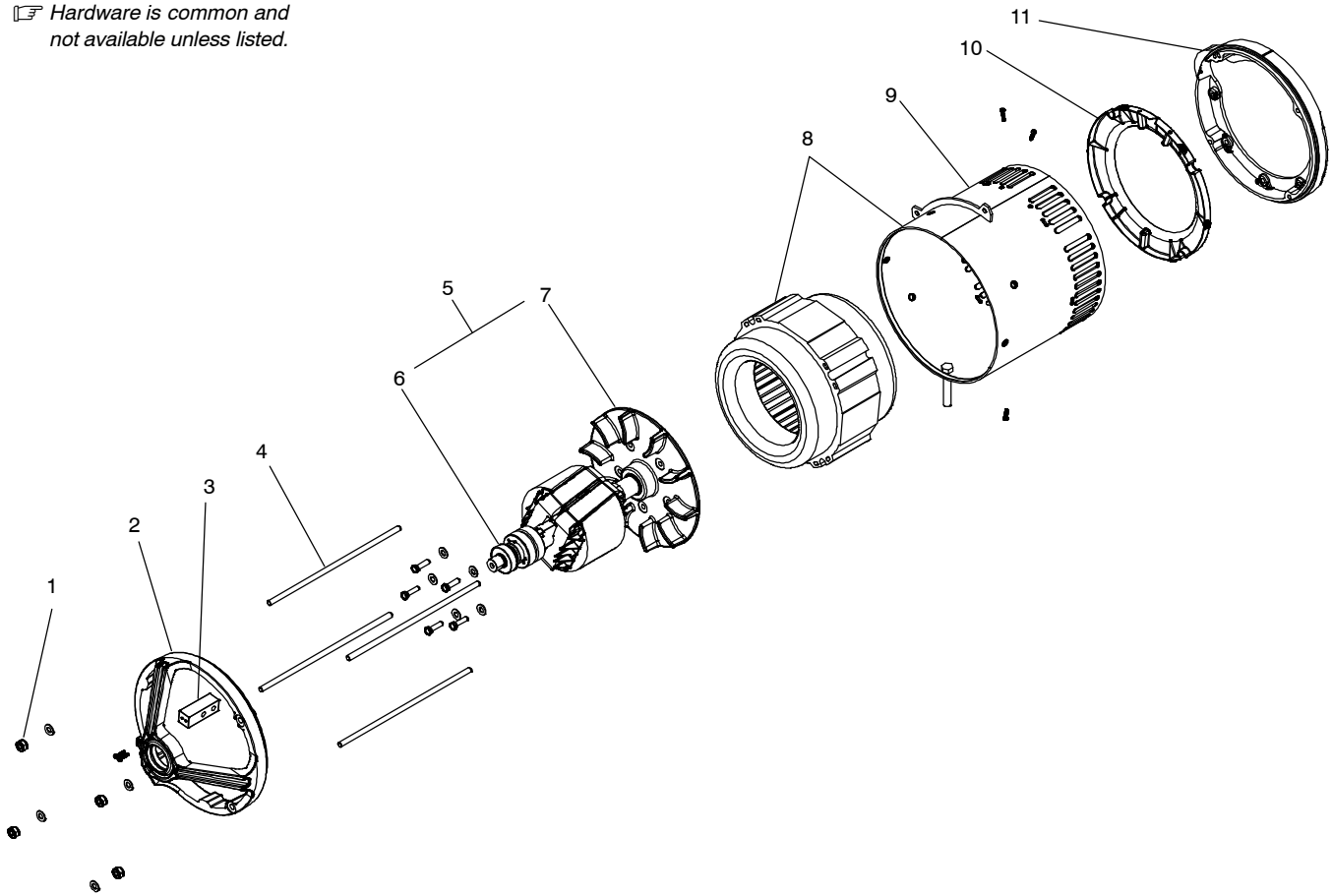
† Service Parts.

◆ Optional

**To maintain the factory original performance of your equipment, use only Manufacturer's Suggested Replacement Parts. Model and serial number required when ordering parts from your local distributor.**

# Eff w/Serial No. MH350899R And Following

 Hardware is common and not available unless listed.



259 710

**Figure 12-2. Generator**

| Item No. | Part No. | Description | Quantity |
|----------|----------|-------------|----------|
|----------|----------|-------------|----------|

**Figure 12-2. Generator (Figure 12-1 Item 9)**


|       |    |          |  |   |
|-------|----|----------|--|---|
| ...   | 1  | 010909   | .. Nut, 375-16 .56hex .46h Stl Pld Elastic Stop Nut  | 4 |
| ...   | 2  | 265190   | .. Endbell (Includes)                                | 1 |
| ..... |    | 183419   | ... O-Ring   | 1 |
| ...   | 3  | 205725   | .. Brushholder Assy, Generator                       | 1 |
| ...   | 4  | 271609   | .. Stud, Stl .375-16 X 13.250                        | 4 |
| ...   | 5  | 265187   | .. Rotor, Generator (Includes)                       | 1 |
| ...   | 6  | 181143   | ... Bearing, Ball Rdl Sgl Row .984 X 2.047 X .591    | 1 |
| ...   | 7  | 257891   | ... Fan, Rotor Gen                                   | 1 |
| ...   | 8  | +258862  | .. Stator, Generator (Standard Models)               | 1 |
| ...   | 8  | +♦259279 | .. Stator, Generator (Models w/Excel Synth Aux)      | 1 |
| ...   | 9  | 227732   | ... Label, Warning Electric Shock Hazard (Bilingual) | 1 |
| ...   | 10 | 159918   | ... Baffle, Fan                                      | 1 |
| ...   | 11 | 186365   | .. Adapter, Engine                                   | 1 |

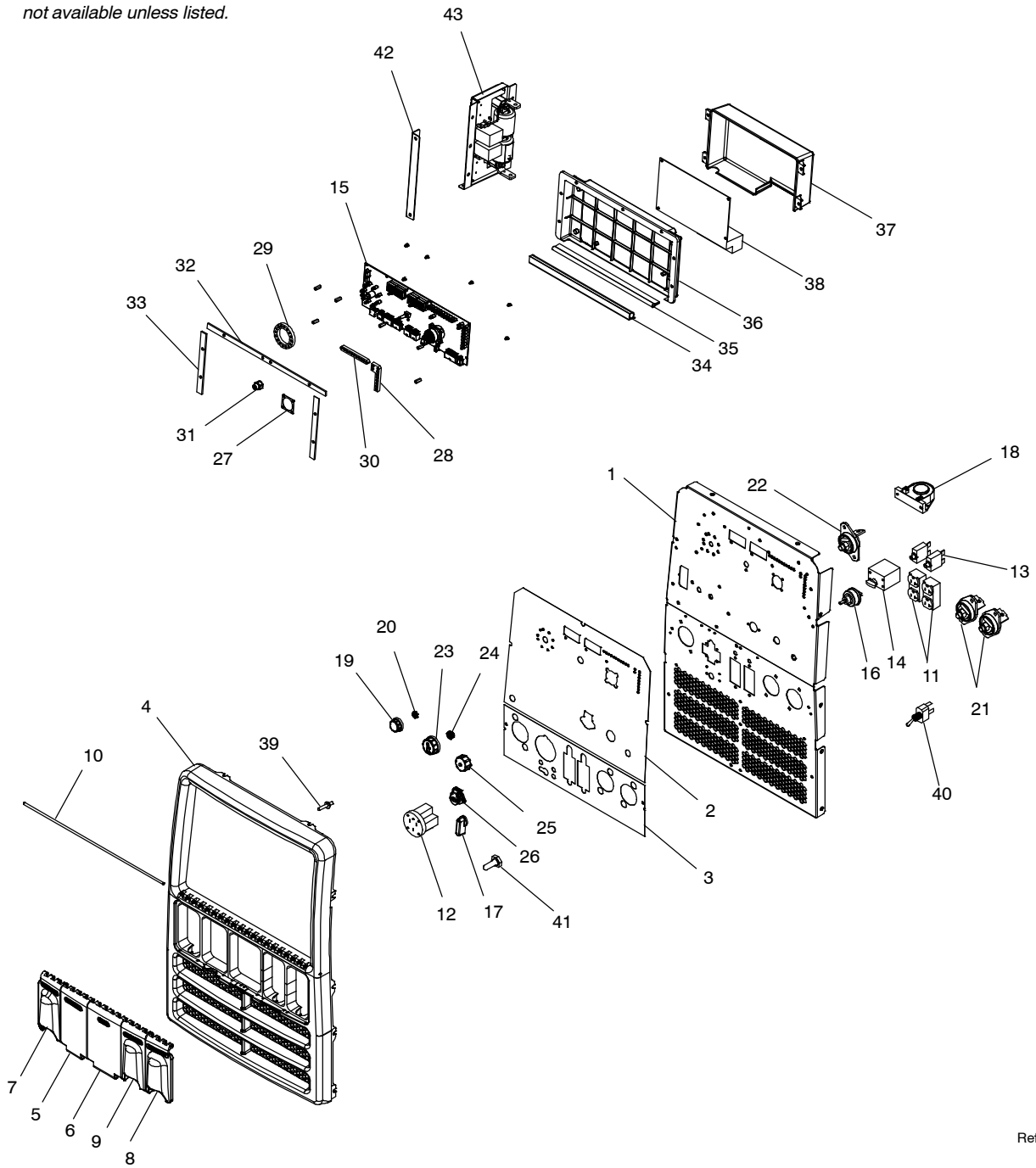
+ When ordering a component originally displaying a precautionary label, the label should also be ordered.

♦ Optional

**To maintain the factory original performance of your equipment, use only Manufacturer's Suggested Replacement Parts. Model and serial number required when ordering parts from your local distributor.**

# Eff w/Serial No. MH350899R And Following

 Hardware is common and not available unless listed.



Ref. 907754

**Figure 12-3. Panel, Front w/Components**

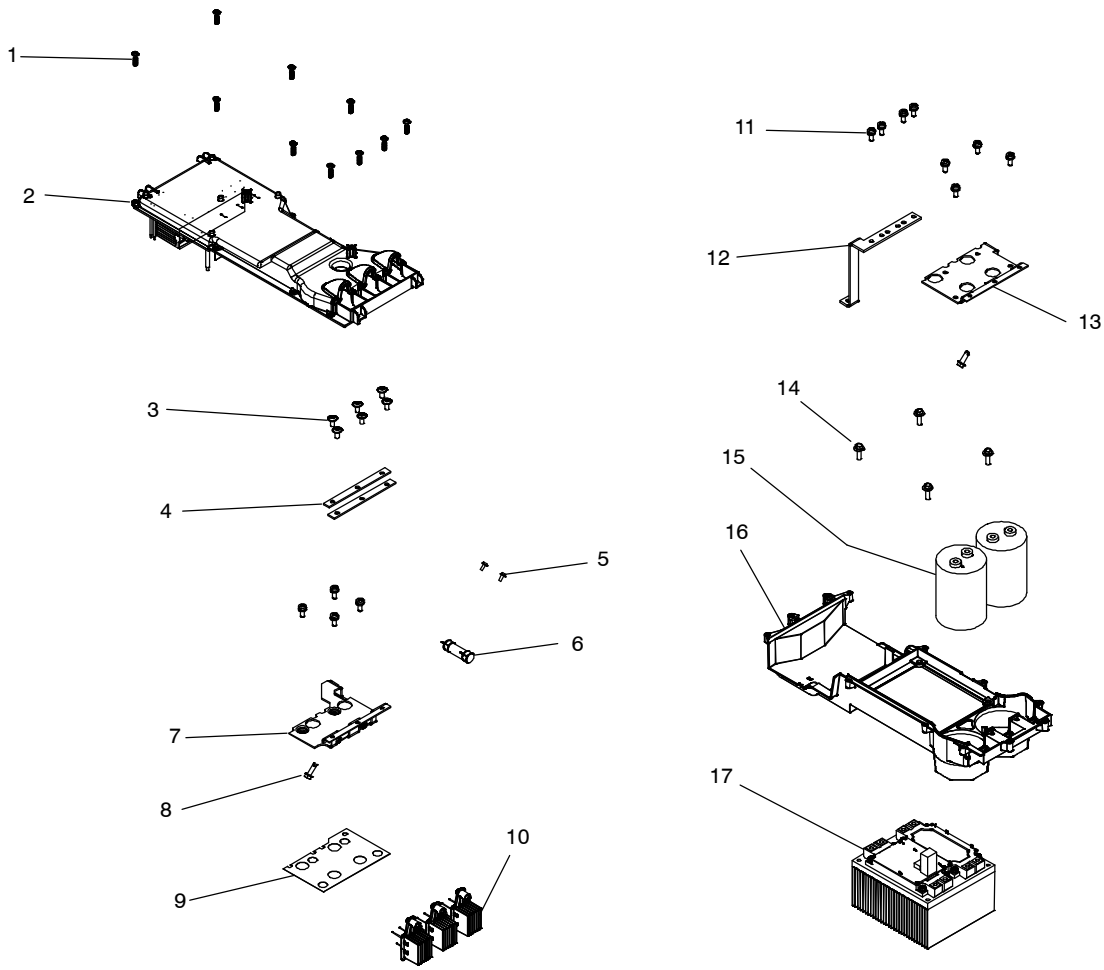
# Eff w/Serial No. MH350899R And Following

| Item No.   | Dia. Mkgs. | Part No. | Description   | Quantity |
|--|------------|----------|---|----------|
| <b>Figure 12-3. Panel, Front w/Components (Figure 12-1 Item 1)</b> |            |          |   |          |
| ...  | 1          | 276489   | Panel, Front  | 1        |
| ...  | 2          |          | Label, Nameplate (Order by Model and Serial No.)                      | 1        |
| ...  | 3          |          | Label, Nameplate Aux Panel (Order by Model and Serial No.)            | 1        |
| ...  |            | 250723   | Bezel Assy  | 1        |
| ...  | 4          | 211416   | Bezel   | 1        |
| ...  | 5          | 216773   | Cover, Receptacle Duplex 120V   | 1        |
| ...  | 6          | 216774   | Cover, Receptacle Full Kva 120/240V                                   | 1        |
| ...  | 7          | 257119   | Cover, Output Stud Positive   | 1        |
| ...  | 8          | 257120   | Cover, Output Stud Negative   | 1        |
| ...  | 9          | 257121   | Cover, Output Stud Negative   | 1        |
| ...  | 10         | 211405   | Pin, Hinge  | 1        |
| ...  | 11         | RC2-RC3  | Rcpt, Str Dx Grd 2p3w 20A 125V *5-20r                                 | 2        |
| ...  | 11         | RC2-RC3  | Rcpt, Str Dx Grd GFCI W/Capacitors (GFCI Models)                      | 2        |
| ...  |            | C5,C8    | Capacitor, Cer Disc .0047 uF 3000 VDC W/Terms                         | 2        |
| ...  | 12         | RC1      | Rcpt, Str 3p4w 50A 125/250V Flush Mtg *14-50                          | 1        |
| ...  | 13         | CB2-CB3  | Supplementary Pro, Man Reset 1p 20A 250VAC Frict                      | 2        |
| ...  | 14         | CB1      | Supplementary Protector, Man Reset 2p 50A 240VAC                      | 1        |
| ...  | 15         | PC2      | Kit, Service Control Board  | 1        |
| ...  | 15         | PC2      | Kit, Service Control Board (ArcReach Models)                          | 1        |
| ...  | 16         | S2       | Switch, Ignition 4 Position W/Out Handle                              | 1        |
| ...  | 17         |          | Lever, Ignition Switch  | 1        |
| ...  | 18         |          | Transducer, Current 1000A Module Max Open Loop                        | 1        |
| ...  | 19         |          | Knob, Encoder 1.250 Dia X .250 Id Push On W/Spring                    | 1        |
| ...  | 20         |          | Nut, 375-32 .56hex .22h Brs Conical Knurl                             | 1        |
| ...  | 21         |          | Terminal, Pwr Output Black  | 2        |
| ...  | 22         |          | Terminal, Pwr Output Red  | 1        |
| ...  | 23         |          | Knob, Encod 1.67 D. X 6mm Id Push On W/Spring/Print                   | 1        |
| ...  | 24         |          | Nut, 500-28 .69hex .28h Brs Conical Knurl                             | 1        |
| ...  | 25         |          | Conn, Circ Ms Protective Cap Size 20 Nylon                            | 1        |
| ...  | 26         |          | Harness, Front Panel USB  | 1        |
| ...  | 27         |          | Gasket, 14 Pin Receptacle   | 1        |
| ...  | 28         |          | Foam, Led Fuel And Service  | 1        |
| ...  | 29         |          | Foam, Led Process Select  | 1        |
| ...  | 30         |          | Foam, Led Dig   | 1        |
| ...  | 31         |          | Assy, Encoder Nut W/O-Ring  | 1        |
| ...  |            | 280214   | Spring, Wave (Stainless Steel)  | 1        |
| ...  |            | 222064   | Capacitor, Polyp Met Film .1 uF 500 VDC 10%                           | 1        |
| ...  |            | 222065   | Capacitor Module, Polyp Met Film .1 uF 500 VDC 10%                    | 1        |
| ...  | 32         |          | Gasket, Control Board Cover Top                                       | 1        |
| ...  | 33         |          | Gasket, Control Board Cover   | 2        |
| ...  | 34         |          | Seal, Cover Control Board   | 1        |
| ...  | 35         |          | Seal, Enclosure Opening Bulb D 12.875                                 | 1        |
| ...  | 36         |          | Cover, Control Board  | 1        |
| ...  | 37         |          | Cover, Regulator Board  | 1        |
| ...  | 38         | PC1      | Circuit Card Assy, Power/Aux Regulator W/Program (Prior to MJ280348R) | 1        |
| ...  | 38         | PC1      | Circuit Card Assy, Power/Aux Regulator W/Program (Eff w/MJ280348R)    | 1        |
| ...  | 39         |          | Grounding Stud Assy, Brass  | 1        |
| ...  | 40         | S2       | Switch, Tgl Spst 3A 250V Off-None-(On) Spd Term                       | 1        |
| ...  | 41         |          | Boot, Half Toggle Switch Lever (Black)                                | 1        |
| ...  | 42         |          | Bracket, Filter Board Mnt (ArcReach Models)                           | 1        |
| ...  | 43         | PC4      | Circuit Card Assy, Wcc Filter Network Potted (ArcReach Models)        | 1        |

◆ Optional

**To maintain the factory original performance of your equipment, use only Manufacturer's Suggested Replacement Parts. Model and Serial Number required when ordering parts from your local distributor.**

# Eff w/Serial No. MH350899R And Following



254 825-A

**Figure 12-4. Assy, IGBT/Capacitor**

| Item No. | Dia. Mkgs. | Part No. | Description | Quantity |
|----------|------------|----------|-------------|----------|
|----------|------------|----------|-------------|----------|

**Figure 12-4. Assy, IGBT/Capacitor (Figure 12-1, Item 3)**

|        |           |         |   |    |
|--------|-----------|---------|---|----|
| .....  |           | 277325  | Assy, IGBT/Capacitor (Includes)                                     | 1  |
| .....  |           | ◆277632 | Assy, IGBT/Capacitor Excel Power (Includes)                         | 1  |
| ... 1  |           | 136343  | Screw, K50x 20 Pan Hd-phl Stl Pld Pt Thread Forming                 | 10 |
| ... 2  |           | 247664  | Enclosure, Top <b>(Standard Models)</b>                             | 1  |
| ... 2  |           | 247666  | Assy, 2k Sine Inverter,Potted W/Tray <b>(Models w/ Excel Power)</b> | 1  |
| ... 3  |           | 262660  | Screw, 250-20x .37 Truss Hd-phl Thdfmg Stl Pld                      | 6  |
| ... 4  |           | 247657  | Bar, Rectifier Clamp  | 2  |
| ... 5  |           | 136420  | Screw, 008-32x .37 Hexwhd.34d Stl Pld Slffmg Tap-rw                 | 2  |
| ... 6  | R1        | 079497  | Resistor, Ww Fxd 25 W 2k Ohm  | 1  |
| ... 7  |           | 247661  | Plate, Bus Negative,Dual Module                                     | 1  |
| ... 8  |           | 604224  | Screw, 250-20x .75 Hexwhd.50d Stl Pld Slffmg Tap-rw                 | 2  |
| ... 9  |           | 247663  | Insulator, Bus Plate Dual Module                                    | 1  |
| ... 10 | SR1, 2, 3 | 259869  | Rectifier   | 3  |
| ... 11 |           | 229331  | Screw, M 6-1.0x 16 Pan Hd-phl Stl Pld Sems                          | 12 |
| ... 12 |           | 247662  | Bar, Output Bus   | 1  |
| ... 13 |           | 247660  | Plate, Bus Positive,Dual Module                                     | 1  |
| ... 14 |           | 192725  | Screw, 250-20x .75 Hex Hd.50d Gr5 Pld Conical Washe                 | 4  |
| ... 15 | C1, C2    | 249841  | Capacitor, Elctlt 13000 uF 150 VDC Can 3.00 Dia                     | 2  |
| ... 16 |           | 247665  | Enclosure, Bottom   | 1  |
| ... 17 |           | 277323  | Assy, IGBT Module/Heatsink  | 1  |

◆ Optional

**To maintain the factory original performance of your equipment, use only Manufacturer's Suggested Replacement Parts. Model and serial number required when ordering parts from your local distributor.**



# Eff w/Serial No. MH350899R And Following

Some Wiring Harness Components (Switches, Relays, Circuit Breakers) Are Also Referenced Elsewhere In This Parts List. Purchase Components Separately Or As Part Of The Associated Wiring Harness.

| Dia.<br>Mkgs.           | Part<br>No.       | Description  | Quantity |
|-------------------------|-------------------|--|----------|
| <b>Wiring Harnesses</b> |                   |  |          |
|                         | 277286            | <b>Harness, Wrg Unit (Includes)</b>                          | 1        |
|                         | PLG1 177859       | Conn, Body 5 Terminal  | 1        |
|                         | CT1 277281        | Xfmr, Current Sensing  | 1        |
|                         | PLG23 240451      | Conn, Rect Mini 045 12skt 2row Plug Cable Lkg/Lkg            | 1        |
|                         | PLG28 240449      | Conn, Rect Mini 045 8skt 2row Plug Cable Lkg/Lkg             | 1        |
|                         | PLG5 113752       | Conn, Rect Mini 045 10skt 2row Plug Cable Lkg                | 1        |
|                         | PLG9 117037       | Conn, Rect Mini 045 2skt 2row Plug Cable Lkg                 | 1        |
|                         | PLG21 135134      | Conn, Rect Univ 084 9p/S 3row Plug Cable Lkg                 | 1        |
|                         | PLG4 116513       | Conn, Rect Mini 045 12skt 2row Plug Cable Lkg                | 1        |
|                         | 240459            | Pin, Lkg 6 Skt Housing                                       | 1        |
|                         | 240460            | Pin, Lkg 8 Skt Housing                                       | 1        |
|                         | 240462            | Pin, Lkg 12 Skt Housing                                      | 1        |
|                         | PLG31 114063      | Conn, Rect Univ 084 4p/S 1row Plug Cable Lkg                 | 1        |
|                         | RC32 115510       | Conn, Rect Mini 045 6pin 2row Rcpt Cable/Panel Lkg           | 1        |
|                         | PLG29 240448      | Conn, Rect Mini 045 6skt 2row Plug Cable Lkg/Lkg             | 1        |
|                         | PLG6 113751       | Conn, Rect Mini 045 8skt 2row Plug Cable Lkg                 | 1        |
|                         | PLG41 237889      | Conn, Amp Superseal 34p 4row Plug                            | 1        |
|                         | PLG38 192170      | Conn, Rect 250 2skt 2row Plug Cable Lkg                      | 1        |
|                         | PLG13 237901      | Conn, Body 2 Pin Sealed Sumitomo                             | 1        |
|                         | 237903            | Conn, Skt Female .5 -1.25mm 1.6-2.6mm Tin/Brass              | 2        |
|                         | 237904            | Seal, Conn Sumitomo Dark Green                               | 2        |
|                         | PLG11 237897      | Conn, Amp Econoseal 2p 1row Plug                             | 1        |
|                         | 237898            | Conn, Skt Amp Econoseal                                      | 2        |
|                         | 240383            | Seal, Conn 20ga-16ga   | 2        |
|                         | PLG12 237895      | Conn, Pack 3p 1row Plg Yazaki                                | 1        |
|                         | 237896            | Conn, Skt Female Yazaki                                      | 3        |
|                         | 240512            | Seal, Conn Yazaki  | 3        |
|                         | 240511            | Conn, Rear Clip Yazaki                                       | 1        |
|                         | 240685            | Conn, Lever 5 Wire 12-28 Gauge 600V 20A (Prior to MJ210826R) | 1        |
|                         | 280875            | Conn, Lever 5 Wire 12-28 Gauge 600V 20A (Eff w/MJ210826R)    | 1        |
|                         | PLG10 113750      | Conn, Rect Mini 045 4skt 2row Plug Cable Lkg                 | 1        |
|                         | 271707            | Lead Assy, Elect   | 1        |
|                         | 240686            | Conn, Lever 3 Wire 12-28 Gauge 600V 20A (Prior to MJ210826R) | 2        |
|                         | 282525            | Conn, Lever 3 Wire 12-28 Gauge 600V 20A (Eff w/MJ210826R)    | 2        |
|                         | 280453            | Tubing, Gl Acryl .129- .141 Id # 9x 3.000 Yel Fa1            | 1        |
|                         | 277284            | <b>Harness, Current Transducer (Includes)</b>                | 1        |
|                         | PLG7,PLG14 113750 | Conn, Rect Mini 045 4skt 2row Plug Cable Lkg                 | 2        |
|                         | 277617            | <b>Harness, Gate Drive (Includes)</b>                        | 1        |
|                         | PLG1 214951       | Conn, Rect Univ 039 6p/S 3row Plug Cable Lkg Seal            | 1        |
|                         | PLG2 114426       | Conn, Rect Mini 045 16skt 2row Plug Cable Lkg                | 1        |

| Item<br>No.   | Dia.<br>Mkgs. | Part<br>No.  | Description                                      | Quantity |
|---|---------------|--------------|--|----------|
| <b>Trailblazer 325 Diesel, Export Auxiliary Power</b> |               |              |  |          |
|   |               | RC2 269064   | Rcpt, Str 2p3w 20A 125V Flange Mtg               | 1        |
|   |               | RC1 269065   | Rcpt, Str 5p5w 30A 250V Flange Mtg Single        | 1        |
|   |               | ELCB1 270227 | Supplementary Pro, ELCB 30A 240V 0.030A Trip     | 1        |
|   |               | CB2 093996   | Supplementary Pro, Man Reset 1p 20A 250VAC Frict | 1        |
|   |               | GFCI1 259980 | Rcpt, Str Dx Grd GFCI W/Capacitors               | 1        |
|   |               | 277039       | Label, Nameplate Tb 325 Diesel Export            | 1        |
|   |               | 277508       | Label, Nameplate Trailblazer 325 Aux Panel Intl  | 1        |
|   |               | 277043       | Panel, Engine/Weld Control                       | 1        |
|   |               | 268813       | Bezel Assy,                                      | 1        |

**Miller Electric Mfg. LLC**

An Illinois Tool Works Company  
1635 West Spencer Street  
Appleton, WI 54914 USA

**International Headquarters-USA**

USA Phone: 920-735-4505 Auto-Attended  
USA & Canada FAX: 920-735-4134  
International FAX: 920-735-4125

For International Locations Visit  
[www.MillerWelds.com](http://www.MillerWelds.com)

