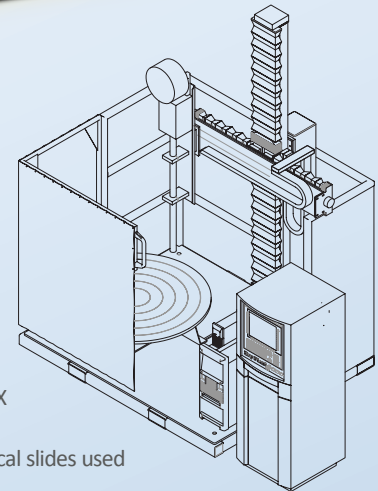


## Compact Cladding System (CCS) with HW-GTAW

Available for Rent,  
 Lease or Purchase

Red-D-Arc's Compact Cladding System (CCS) is designed to perform fully-automated GTAW build up of corrosion-resistant metal components such as subsea valve assemblies. The CCS cladding system is a complete, turnkey-package mounted on a portable skid-plate with a KEY 1250 PLC system controller with touch-screen control weld-data-documentation recording software, a remote control pendant, a 500 or 700 amp pulsed-TIG power source, a 150 amp Hotwire TIG power source, heavy-duty motorized vertical and horizontal cross slides mounted on a skid assembly, a 3-ton capacity floor-mounted turntable with closed-loop drive and a secondary encoder for position feedback. The system also includes an integrated wire feeder and cladding torch with integrated wire-feed guide.



### Specifications

Model	RDA CCS 700
Weld Process	Hotwire TIG (HW-GTAW)
Motorized Cross Slides	78 in x 39 in (2000mm x 1000mm)
Turntable	4 foot diameter table, 3 ton capacity with optional slip ring
Standard Power Source	Miller Maxstar 700 with Coolmate 3.5 cooler, Maxstar 200 DX
Optional Power Source	Other power sources are available
Maximum Height Bore Depth	Up to 39.35 in (1000 mm) depending on torch type and vertical slides used
Minimum Weldable Bore Diameter	1.77 in (45 mm)
Water Cooled TIG Torch	Various fixed and adjustable-angle torch heads available
Welding Speed	7.87 in/min to 17.7 in/min (20 to 45 cm/min)
Control	KEY 1250 PLC Controller
Control Functions	Controlled by 15 in TFT HMI or remote pendant
Input Power RDA CCS 700	CCS (controller, manipulator, turntable) - 380 to 480 V, 3 phase, 50/60 Hz
Input Power Miller Power Sources	Maxstar 700 and Maxstar 200DX - 380 to 480 V, 3 phase, 50/60 Hz
Input Power Miller Cooler	Coolmate 3.5 - 115 VAC 50/60 Hz (from power source)
Overall Height	137.8 in (3500 mm)
Shipping Weight	5,732 lb (2,600 kg) complete system including KEY 1250 PCL controller



Red-D-Arc Welderentals, an Airgas company, rents and sells welding and weld-positioning equipment - around the world.

Compact Cladding System (CCS)  
 with HW-GTAW

